

Jøtul F 400 ECO

Jøtul F 400 ECO
Manual Version P02

UK - Installation and operating instructions	3
FR - Manuel d'installation et d'utilisation	18
ES - Instrucciones para montaje e instalación	34
IT - Manuale di installazione ed uso	48



*The manuals which are enclosed with the product must be kept throughout the product's entire service life.
Les manuels fournis avec le produit doivent être conservés pendant toute la durée de vie du produit.
Los manuales suministrados con este producto deben guardarse durante todo el ciclo de vida del producto. I
manuali inclusi con il prodotto vanno conservati per l'intera durata di vita del prodotto.*




Requirements / Exigences / Requisitos / Requisiti / Vereisten / Forderungen / Wymagania	
Supplier / Fabricante / Fornitore / Vereisten / Lieferant/ Producent:	Jøtul AS
Product models Produits concernés Modelos Modelli Product modellen Varianten der Feuerstelle Modele produktu	Jøtul F 400 ECO
Energy efficiency class / Classe énergétique / Clase de eficiencia energética / Classe energetica / Energie efficiëncy klasse / Energieeffizienz-Klasse / Klasa efektywności energetycznej	A+
Direct heat output / Puissance réelle de sortie / Potencia calorífica emitida / Emissione di calore diretta / Directe warmte afgifte / Nennwärmeleistung / Bezpośrednia moc grzewcza	7 kW
Energy efficiency index / Index de rendement énergétique / Índice de eficiencia energética / Indice di efficienza energetica / Energie efficiëncy index / Energieeffizienz-Index / Indeks efektywności energetycznej	111,4
Efficiency at nominal heat output / Rendement à puissance nominale / Eficiencia al rendimiento nominal / Efficienza alla potenza nominale / Efficiëncy bij nominale warmte afgifte / Wirkungsgrad bei Nennheizleistung / Sprawność dla mocy znamionowej	83 %
<ul style="list-style-type: none"> Any specific precautions that shall be taken when the local space heater is assembled installed or maintained. Toutes les précautions spécifiques doivent être prises lors de l'assemblage, l'installation ou l'entretien de l'appareil. Cualquier precaución específica que deba tenerse en cuenta durante el montaje, instalación o mantenimiento del equipo de calefacción Precauzioni specifiche da prendere quando il riscaldatore viene assemblato, installato o mantenuto in uno spazio. Eventuele specifieke voorzorgsmaatregelen die worden genomen wanneer de plaatselijke ruimteverwarming wordt gemonteerd, geïnstalleerd of onderhouden. Besondere Maßnahmen bei Montierung, Installation und Wartung. Waszelkie szczególne środki ostrożności, które należy podjąć, gdy lokalny ogrzewacz pomieszczeń jest zamontowany lub konserwowany. 	<ul style="list-style-type: none"> Fire safety precautions such as safety distances when installing, national standards, local codes and regulations. See the Instructions manual. Les précautions d'incendie telles que les distances de sécurité lors de l'installation, le suivi des normes, les codes locaux et les réglementations nationales. Veuillez lire le manuel d'installation. Precauciones frente a incendios como distancia de seguridad en la instalación, estándares nacionales, códigos locales y reglamentos. Lea el manual de instalación. Precauzioni per la sicurezza antincendio come le distanze di sicurezza durante l'installazione, le normative nazionali e locali. Leggere il manual. Brandveiligheidsmaatregelen, zoals veiligheidsafstanden bij installatie, nationale normen, lokale codes en voorschriften. Lees de installatiehandleiding. Für brenntechnische Verhältnisse, wie z.B. Aufstellbedingungen und nationale Forderungen. Siehe die Montage- und Bedienungsanleitung. Środki bezpieczeństwa przeciwpożarowego, takie jak odległości od materiałów palnych jakie należy zachować podczas instalacji, normy krajowe, lokalne przepisy i regulacje. Patrz instrukcja obsługi.

UK - Installation and operating instructions

Table of contents

- 1.0 Relationship to the authorities.....3
- 2.0 Technical data.....3
- 3.0 Safety4
- 4.0 Installation.....6
 - 4.7 Requirement for UK - Smoke control Areas.....9
- 5.0 Daily use.....10
- 6.0 Maintenance.....12
- 7.0 Service.....13
- 8.0 Operational problems - troubleshooting.....16
- 9.0 Optional equipment.....16
- 10.0 Recycling.....16
- 11.0 Guarantee terms.....17

Register your fireplace at jotul.com for a 25-year warranty.

Product: Jøtul Room heater fired by solid fuel			
			
Standard	Minimum distance to adjacent combustible materials	Minimum distance to adjacent non-combustible materials	Emission of CO in combustion products
Flue gas temperature	Nominal heat output	Efficiency	Operation range
Fuel type	Operational type	The appliance can be used in a shared flue.	
Country	Classification	Certification standard	Approved by
Norway	Klasse II		
Sweden	Int.	SP Sveriges Provnings- och Forskningsinstitut AS	
EUR	Intermittent	EN	EP-Swedish National Testing and Research Institute
Follow user's instructions. Use only recommended fuels. Montage- und Bedienungsanleitung beachten. Verwenden Sie nur empfohlenen Brennstoffen. Respectez les consignes d'utilisation. Utilisez uniquement les combustibles recommandés.			
Lot no: Y-xxxx, Year: 200x			
Manufacturer: Jøtul AS POB 1 641 N-1602 Fredrikstad Norway		221546	

On all our products there is a label indicating the serial number and year. Write this number in the place indicated in the installation instructions.

Always quote this serial number when contacting your retailer or Jøtul.

Lot no.	Pin.
---------	------

1.0 Relationship to the authorities

Installation of a fireplace must be in accordance with local codes and regulations in each country.

All local regulations, including those which refer to national and European standards, must be observed when installing the product.

The installation can only be put into use after it has been checked by a qualified inspector. Contact your local building authorities before installing a new fireplace.

A product approval plate of heat-resistant material is to be found in the ash pan. This contains information about identification and documentation for the product.

2.0 Technical data

Materiale	Cast iron
Finish	Black paint or enamel
Fuel	Wood
Max, Log length	50 cm
Recommended log length	30 cm
Flue outlet	Top, rear
Flue pipe dimension	Ø 150 mm/177 cm ² cross-section
Outside air connection	Alu. flex - Ø 80 mm
Approx. weight for Jøtul F 400 ECO	ca 158 kg
Optional equipment	Heat shield rear, External air kit, Self closing door mechanism, Short legs
Dimensions, distances	See fig. 1

Technical data in acc. with EN 13240	
Nominal heat output	7 kW
Flue gas volume	5,5 g/s
Chimney draught, EN 13240	12 Pa
Recommended negative pressure in smoke outlet	12-15 Pa
Efficiency	83% _{@7,7 kW}
CO emissions (13% O ₂)	0,06 %
CO emissions (13% O ₂)	729 mg / Nm ³
NOx (13% O ₂)	84 mg / Nm ³
OGC (13 % O ₂)	42 mg C /Nm ³
Air consumption	4,6 liter/sec.
Chimney temperature, EN 13240	247 °C
Dust (13% O ₂)	6 mg/Nm ³ _{@13%O₂}
Fuel consumption	1,84 kg/h
Max. kindling amount	5,2 kg
Nominal kindling amount	2,2 kg
Operation	Intermittent*

*Intermittent combustion in this context means normal use of the fireplace, i.e. fuel is added as soon as the fuel has burnt down to a suitable amount of embers.

ENGLISH

3.0 Safety

NB! To guarantee optimal performance and safety, Jøtul recommends that its stoves are fitted by a qualified installer (see www.jotul.com for a complete list of dealers).

Any modifications to the product may result in the product and safety features not functioning as intended. The same applies to the installation of accessories or optional equipment not supplied by Jøtul. This may also be the case if parts that are essential to the functioning and safety of the fireplace have been disassembled or removed.

In all these cases, the manufacturer is not responsible or liable for the product and the right to make a complaint becomes null and void.

3.1 Fire Prevention Measures

There is a certain element of danger every time you use your fireplace. The following instructions must therefore be followed:

- The minimum safety distances when installing and using the fireplace are given in **fig. 1**. The specified distance to flammable materials, applies to this stove. The stove must be installed with a CE approved flue. The distance of the flue pipe to combustible materials must also be observed.
- Ensure that furniture and other flammable materials are not too close to the fireplace. Flammable materials should not be placed within **1100 mm** of the fireplace.
- Allow the fire to burn out. Never extinguish the flames with water.
- The fireplace becomes hot when lit and may cause burns if touched.
- Only remove ash when the fireplace is cold. Ash can contain hot embers and should therefore be placed in a non-flammable container.
- Ash should be placed outdoors or be emptied in a place where it will not present a potential fire hazard.

In case of chimney fire:

- Close all hatches and vents.
- Keep the firebox door closed.
- Call the fire service.
- Before use after a fire an expert must check the fireplace and the chimney in order to ensure that it is fully functional.

3.2 Floor

Foundation

You need to make sure the foundation is suitable for a fireplace. See “**2.0 Technical Data**” for specified weight.

We recommend the removal of any flooring that is not attached to the foundation (“floating floors”) beneath the installation.

Requirements for protection of wooden flooring beneath the fireplace

The product can be placed directly on a wooden floor, protected by a floor plate made from non combustible material (recommended thickness - minimum 0,9 mm)

Jøtul recommends that any flooring made of combustible material, such as linoleum, carpets, etc. should be removed from under the floor plate.

Jøtul F 400 ECO has a heat shield underneath which protects the floor from radiation. The product can therefore be placed directly on a wooden floor taht is covered by a metal plate or other suitable, non-flammable material. The recommended minimum thickness is 0,9 mm.

Jøtul F 400 ECO SL (Short legs):

The short legged version can only be installed on a constructional hearth which must have an extension of minimum **350 mm** in front of the stove.

NB! In this area, we do not recommend the installation of underfloor heating (both waterborne and electric).

Requirements for protection of inflammable floors in front of the fireplace

The front plate must comply with national laws and regulations.

Contact your local building authorities regarding restrictions and installation requirements.

3.3 Walls

- The product should be placed so that it is possible to clean the stove, flue pipe and chimney outlet.
- Make sure furniture and other combustible materials do not get too close to the stove.
- Make sure furniture and other items are not placed too close to the stove, to prevent them from drying out.

Distance to walls made of combustible material - see **fig. 1**
The stove must be installed with a CE approved flue pipe. The distance from flue pipes to combustible materials must also be taken into account.

Combustible wall protected by firewall

Distance to combustible wall protected by firewall: See **fig. 1**. Distances with insulated chimney/shielded flue pipe are shown in **fig. 1**.

Firewall requirement

The firewall must be at least **100 mm** thick and be made of brick, concrete-stone or light concrete. Other materials and structures with satisfactory documentation may also be used.

Non-combustible wall (all the way through)

The fireplace can be installed with a minimum of **100 mm** to non-combustible wall if the distance from the fireplace to all combustible materials are a minimum of **500 mm**.

Non-combustible materials mean materials like brick, clinker, concrete, mineral wool, silicate plates etc (materials that do not burn). **Note!** A short distance to non-combustible wall may lead to desiccation and discoloration of paint and cause cracking.

3.4 Ceiling

There must be a minimum distance of **750 mm** to a combustible ceiling above the fireplace.

ENGLISH

4.0 Installation

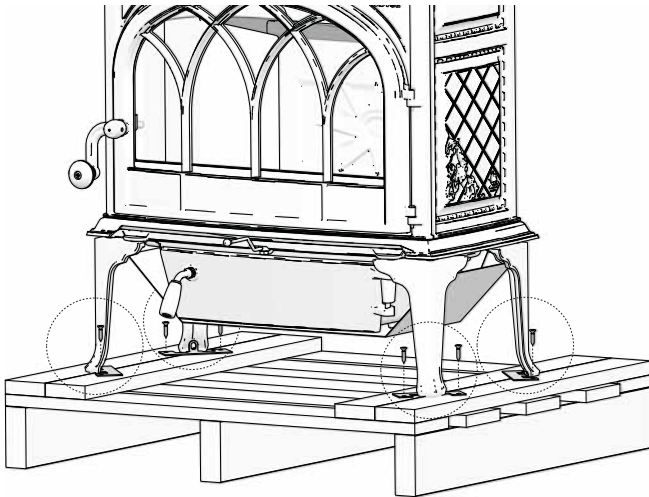
- Before installing the fireplace, check it carefully for any signs of damage.
- The product is heavy! Ask someone to help you when positioning and installing it.
- **Make sure that furniture and other household items are at a safe distance from the fireplace to protect them from drying out.**

4.1 Prior to installation

1. The standard product comes in one package.
2. Remove the screw bag from inside the stove.
3. The ash lip is in a box under the stove.
4. When the product is unpacked, release it from the pallet.

Make sure everything is in order.

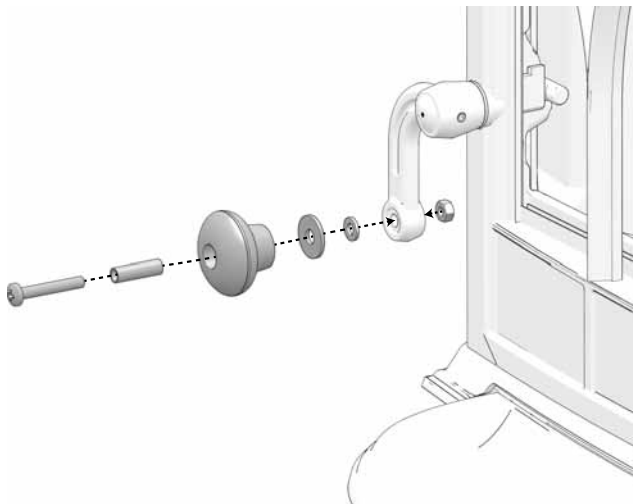
Fig. 2 Release from pallet



1. Remove the 8 transport screws

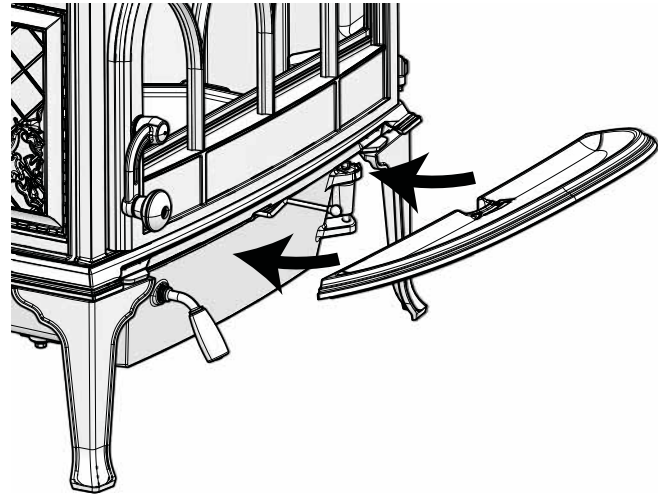
4.2 Installation

Fig. 3 Assemble the door handle



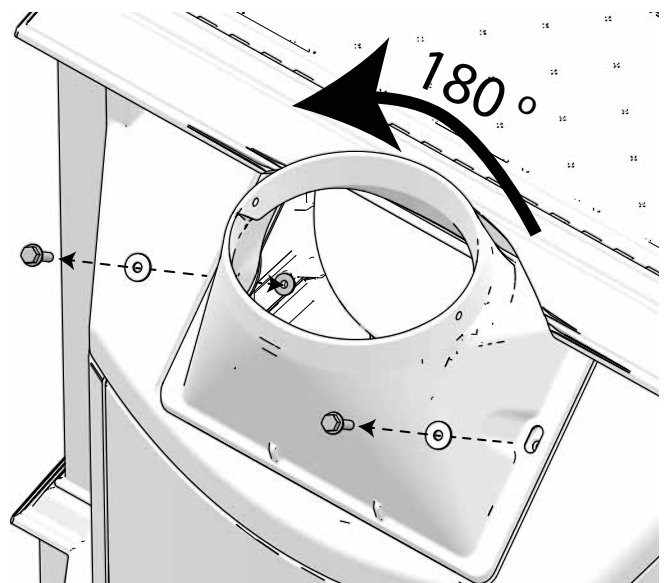
1. Mount the wooden knob on the door handle. The parts are in the bag of screws.

Fig. 4 Mount the ash lip



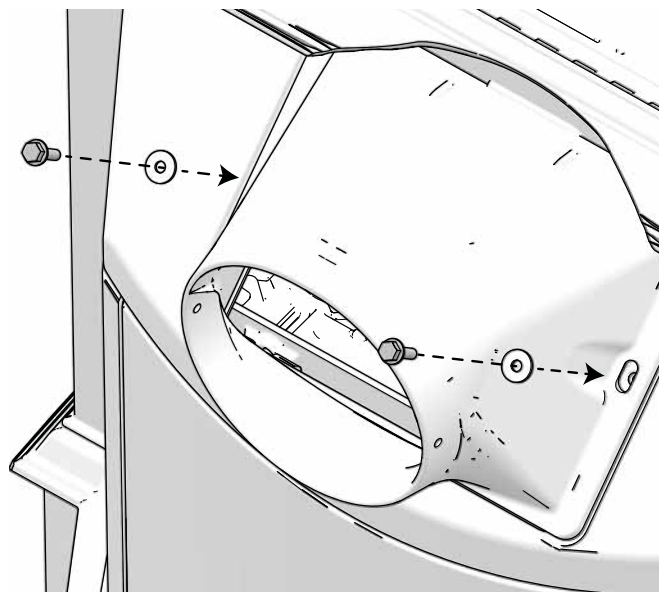
1. The ash lip is mounted on the front of the stove.

Fig. 5a Switch from top outlet to rear outlet



1. Unscrew the 2 screws with nuts on the back.
2. Rotate the smoke outlet 180 degrees.

Fig. 5b

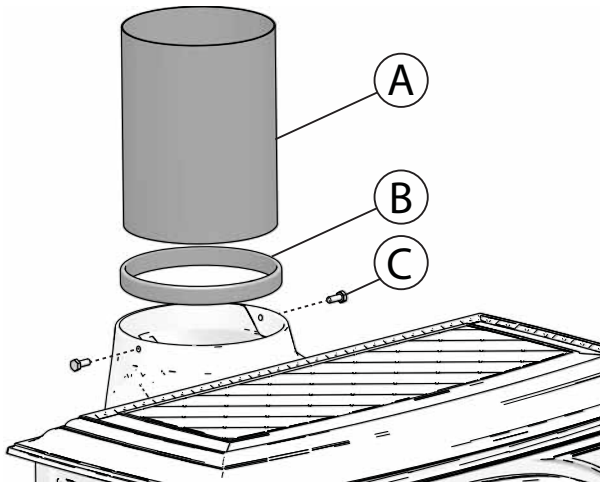


3. Attach the smoke outlet with the same screws from **fig.5a**.

Assembly of the flue pipe

The product is assembled for a top outlet as standard.

Fig. 6 Assembling the flue pipe



1. Mark on the flue pipe (A) where the screws hit when the flue pipe is completely at the bottom of the smoke outlet and drill a 7 mm hole in the flue pipe for the screws (C).
2. Pull the gasket (B) on the outer end of the flue pipe.
3. Insert the flue pipe into the smoke outlet and secure with the 2 screws (C) from the bag of screws.

Flue pipe is installed in the same way for top and rear outlet.

4.3 Assembly with an external air supply (optional equipment - 51047509)

Fresh air supply

The air used for combustion in any well-insulated house needs to be replaced. This is particularly important in houses with mechanical ventilation. Such replacement air can be procured in several ways. The most important thing is to supply the air to the room where the stove is placed. Place the outside wall valve as close to the stove as possible.

For the fresh air supply connection, follow the national and local building regulations.

Important! Ensure that air vents in the room where the fireplace is located are not blocked.

Closed combustion system

Use the stove's closed combustion system if you live in recently built, airtight dwellings. Connect the external combustion air through a ventilation pipe through the wall or the floor.

Air supply

The amount of combustion air for Jøtul's products is approximately 20-40 m³/h. The outside air connection may be fitted directly to the Jøtul F 400 ECO through:

- the bottom
- through a flexible supply hose from the outside/chimney (only if the chimney has its own duct for external air) and to the product's outside air connector.

Fig. 7a Through an outside wall

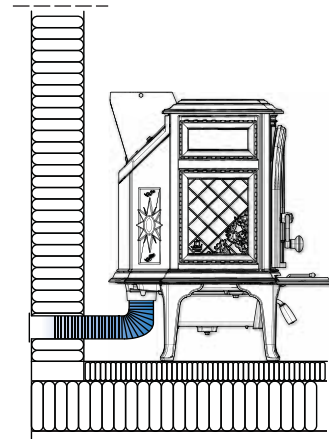


Fig. 7b Through the floor and ground plate

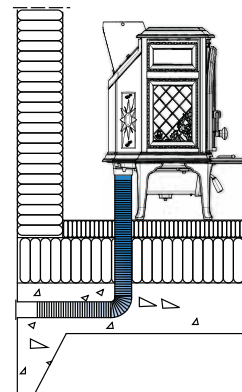
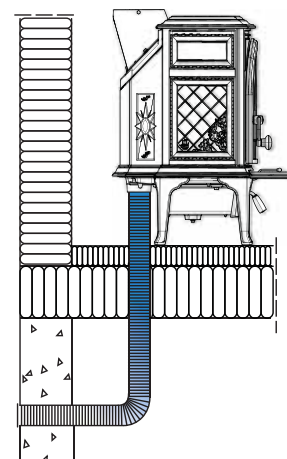


Fig. 7c Through the floor and basement



ENGLISH

Fig. 7d indirectly through an outside wall

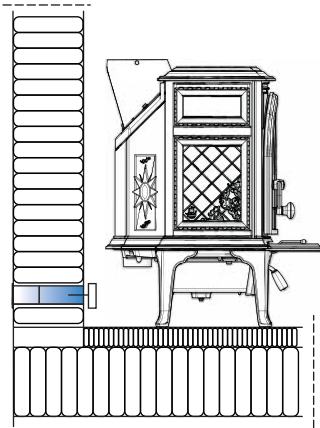
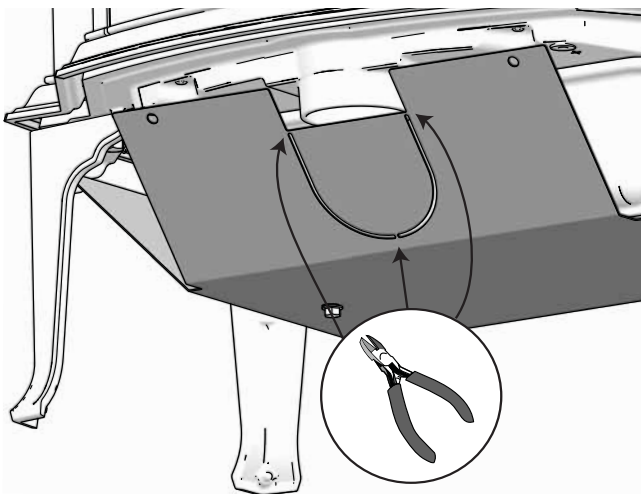
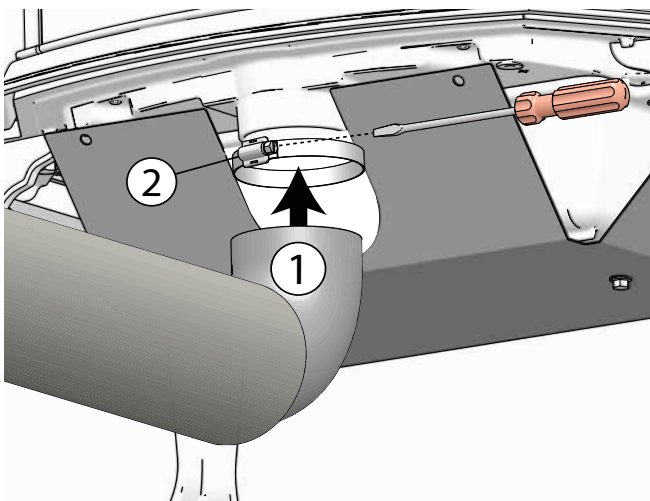


Fig. 8a Mounting of external air supply connection



1. Use a cutting pliers and cut off the cover.

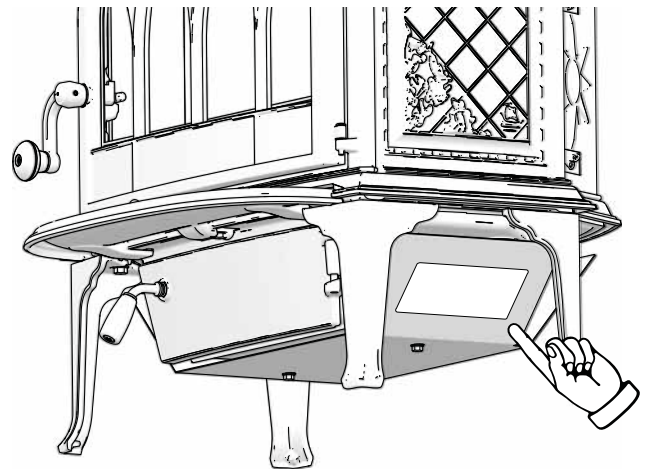
Fig. 8b



1. Place the external air supply connection ($\varnothing 80$) with the hose clamp on the outside air hole.
2. Tighten with screwdriver.

4.4 Location of approval label

Fig. 9 Approval label



1. The approval label is located at the bottom of the stove.

4.5 Chimney and flue pipe

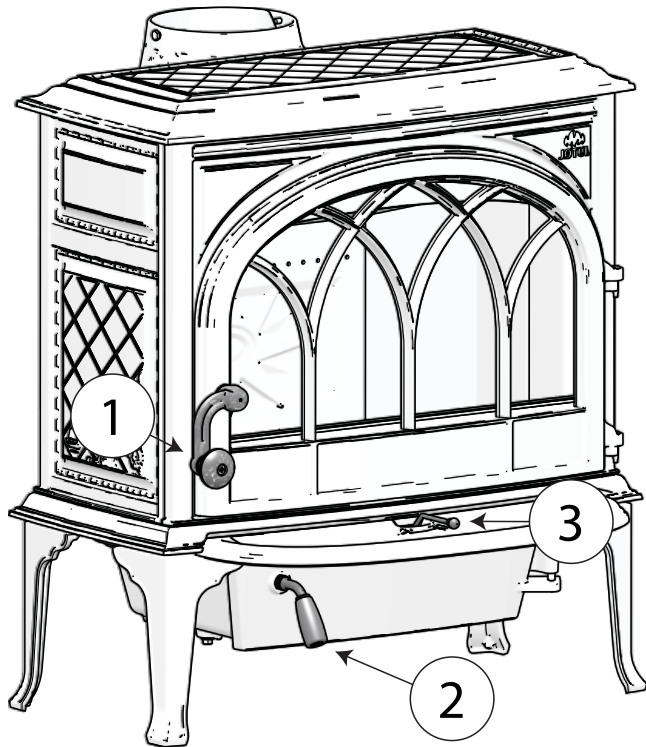
- The fireplace must only be connected to a chimney and flue pipe approved for solid fuel fireplaces with flue gas temperatures as specified in «**2.0 Technical Data**».
- For flue pipe dimension see «**2.0 Technical Data**». NB: The chimney's diameter must be at least as big as the flue pipe: $\varnothing 150$ mm flue pipe - 177 cm^2 .
- Connection to the chimney must be carried out in accordance with the chimney supplier's installation instructions.
- Before a hole is made in the chimney, the product should be test-mounted in order to correctly mark the position of the fireplace and the hole in the chimney. See fig. 1 for minimum dimensions.
- Use a flue pipe bend with a sweep hatch to allow sweeping.
- Flue pipe bends with any change in direction influence/reduce the chimney draught. This effect also applies when horizontal flue pipes are used. Please note that it is extremely important for connections to have a degree of flexibility. This is to prevent any movement in the installation leading to the formation of cracks.
- For recommended chimney draught, see «**2.0 Technical Data**».

NB! The minimum recommended chimney length is 4 m from the flue pipe insert. If the draught is too strong, a flue pipe damper can be installed and used to reduce the draught. If a flue damper is fitted it must be of a type, which does not block the flue totally. The damper should be easy to operate and incorporate an aperture within the blade, which in a continuous area occupies at least 20 cm^2 or 3 % of the cross-sectional area of the blade if this is greater. The position of the damper should be recognizable from the setting of the device. If a draught regulator is fitted the minimum cross sectional area requirement shall not be applicable but the device should be easily accessible for cleaning.

4.6 Performance check

Once the product has been assembled, always check the control handles. These should move easily and work in a satisfactory manner.

Fig. 10 The Jøtul F 400 ECO is equipped with the following operating options:



1. Handle front door. To open, lift the handle up (clockwise) and pull out.
2. Handle ash door. To open, lift the handle up (counterclockwise) and pull out.
3. Air/ignition valve. Adjust in the horizontal direction (see fig. 13)

4.7 Requirement for UK - Smoke control Areas

The Clean Air Act

“The Clean Air Act 1993 and Smoke Control Areas”

Under the Clean Air Act local authorities may declare the whole or part of the district of the authority to be a smoke control area. It is an offence to emit smoke from a chimney of a building, from a furnace or from any fixed boiler if located in a designated smoke control area. It is also an offence to acquire an “unauthorised fuel” for use within a smoke control area unless it is used in an “exempt” appliance (“exempted” from the controls which generally apply in the smoke control area).

In England appliances are exempted by publication on a list by the Secretary of State in accordance with changes made to sections 20 and 21 of the Clean Air Act 1993 by section 15 of the Deregulation Act 2015. Similarly in Scotland appliances are exempted by publication on a list by Scottish Ministers under section 50 of the Regulatory Reform (Scotland) Act 2014.

In Northern Ireland appliances are exempted by publication on a list by the Department of Agriculture, Environment and Rural Affairs under Section 16 of the Environmental Better regulation Act (Northern Ireland) 2016.

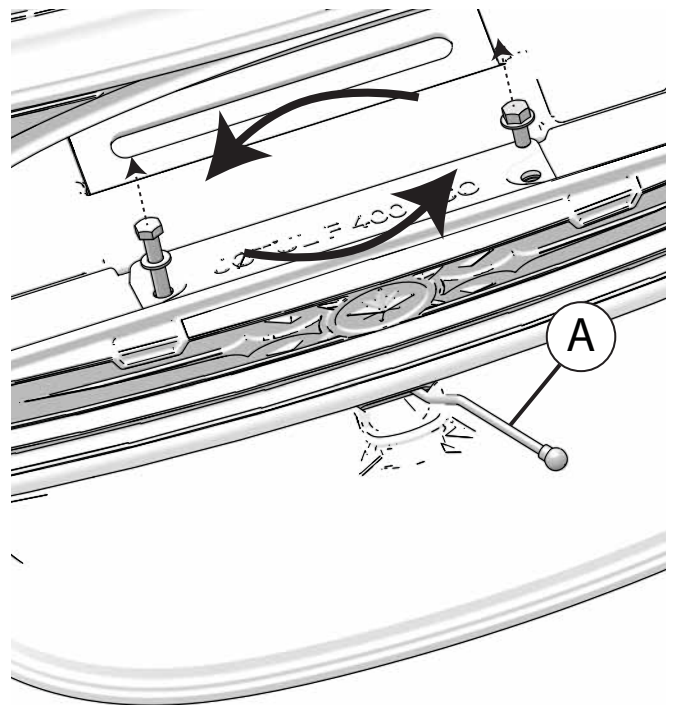
In Wales appliances are exempted by regulations made by Welsh Ministers.

Further information on the requirements of the Clean Air Act can be found here: <https://www.gov.uk/smoke-control-area-rules>

Your local authority is responsible for implementing the Clean Air Act 1993 including designation and supervision of smoke control areas and you can contact them for details of Clean Air Act requirements.

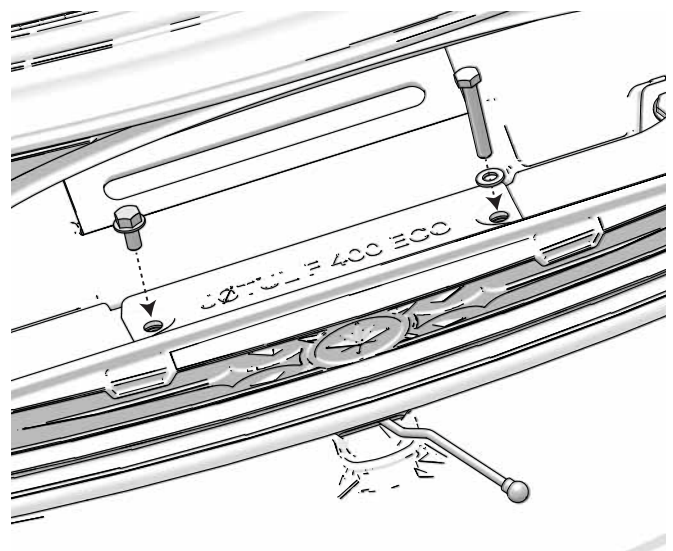
The Jøtul F 400 ECO stoves have been recommended as suitable for use in smoke control areas. Make this adjustments to prevent complete primary air control closure.

Fig. 11



1. Open the door.
2. Pull then valve handle (A) to the right.
3. Unscrew the screws located on the inside of the front.
4. Switch the position of the screws.

Fig. 12



5. Mount the screws.

ENGLISH

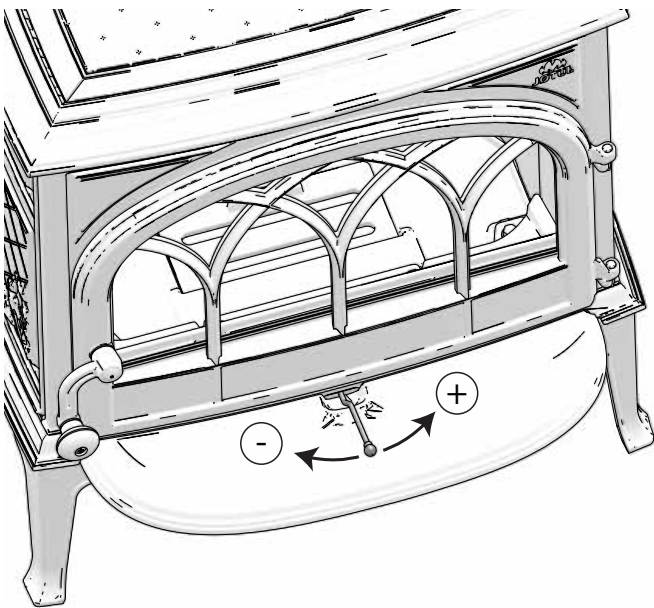
5.0 Daily use

5.1 Odours when using the fireplace for the first time

When the fireplace is used for the first time, it may emit an irritating gas which may smell slightly. This happens because the paint dries. The gas is not toxic but the room should be thoroughly ventilated. Let the fire burn with a high draught until all traces of the gas have disappeared and no smoke or odours can be detected.

5.2 Valve adjustment

Fig. 13



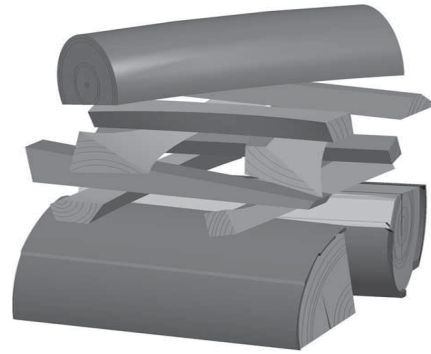
Pulled to the right: **Open** (used during ignition).

Shifted to the left: **Closed**.

5.3 Use

- Open the air/ignition valve by pulling it to the right. If necessary, keep the door slightly open. (Use a glove, for example, as the handle can become hot.)
- Place two medium sized logs in/out on each side of the base. N.B. In order to avoid sooting on the glass, it is important that the log is not placed adjacent to the glass on the product.
- Put 2-3 briquettes (or birch bark) between these and add some kindling wood in a criss-cross pattern on top and light the newspaper.
- Gradually increase the size of the woodlogs.
- Finally, place a medium-sized log on the top of the pile.
- Then regulate the rate of combustion to the desired level of heating by adjusting the air vent.
- Close the stove doors. It must always be closed when the fire is lit.
- Operation with the air controls or appliance dampers open can cause excess smoke. The appliance must not be operated with air controls, appliance dampers or door left open except as directed in the instructions.
- Operation with the doors open can cause excess smoke. The appliance must not be operated with the appliance door left open except as directed in the instructions.

Fig. 14



5.4 Adding firewood

Stoke the stove frequently but only add small amounts of fuel at a time. If the stove is filled too full, the heat created may cause extreme stress in the chimney. Add fuel to the fire in moderation. Avoid smouldering fires as this produces the most pollution. The fire is best when it is burning well and the smoke from the chimney is almost invisible.

If there is insufficient burning material in the firebed to light a new fuel charge, excessive smoke emission can occur. Refuelling must be carried out onto a sufficient quantity of glowing embers and ash that the new fuel charge will ignite in a reasonable period. If there are too few embers in the fire bed, add suitable kindling to prevent excessive smoke.

5.5 Heating advice

NB: Logs that have been stored outdoors or in a cold room should be brought indoors 24 hours before use to bring them up to room temperature.

There are various ways of heating the stove but it is always important to be careful about what you put in the stove. See the section on “**Wood quality**”.

NB! Combustion with too low air supply can lead to poor combustion, poorer efficiency, high particulate emissions, black carbon and other health and climate hazardous compounds.

Wood quality

By quality wood we mean most well-known types of wood such as birch, spruce and pine.

The logs should be dried so that the moisture content is no more than 20%.

To achieve this, the logs should be cut during the late winter. They should be split and stacked in a way that ensures good ventilation. The wood stacks should be covered to protect the logs from rain. The logs should be brought indoors during early autumn and stacked/stored for use in the coming winter.

Be especially careful never to use the following materials as fuel in your fireplace:

- Household rubbish, plastic bags, etc.
- Painted or impregnated timber (which is extremely toxic).
- Laminated wooden planks.
- Driftwood

These may harm the product and are also pollutants.

NB: Never use petrol, paraffin, methylated spirit or similar liquids to light the fire. You may cause serious injury to yourself and damage to the product.

5.6 Wood consumption

Jøtul F 400 ECO has a nominal heat output of **ca. 7 kW**. Use of wood, with nominal heat emission: Approx. **1,84 kg/h**. The size of the logs should be:

Kindling:

Length: 30-40 cm

Diameter: 2-5 cm

Amount per fire: 8-10 pieces

Firewood (split logs):

Length: Ca 30 cm

Diameter: Approx. 8-12 cm

Intervals for adding wood: Approximately every 55 minutes

Size of the fire: 1,83 kg (nominal efficiency)

Amount per load: 2 pieces

The given testresults have been obtained by loading 2 logs á 30 cm, total weight of 1,83 kg. The logs are laid across. Valve set for about 50 % air.

The maximum amount of fuel specified in this manual should not be exceeded, overloading can cause excess smoke.

5.7 Danger of overheating

The fireplace must never be used in a manner that causes overheating.

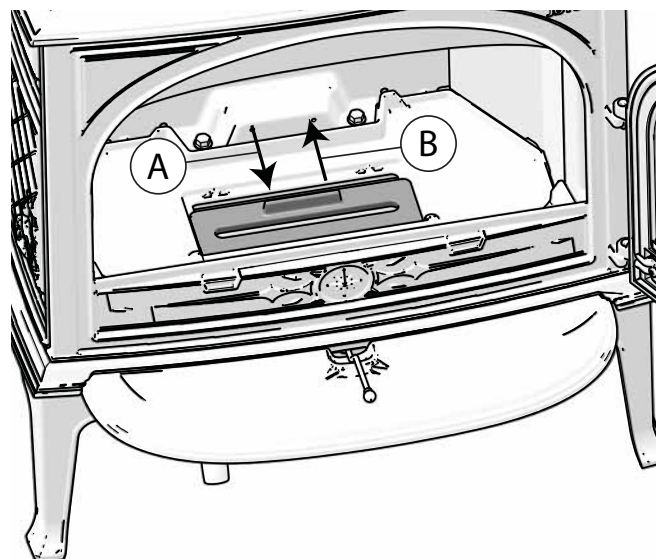
Overheating occurs when there is too much fuel and/or too much air so that too much heat develops. A sure sign of overheating is when parts of the fireplace glow red. If this happens, reduce the air vent opening immediately.

Seek professional advice if you suspect that the chimney is not drawing properly (too much/too little draught). For further information, see «4.0 Installation» (Chimney and flue pipe).

5.8 Removing the ashes

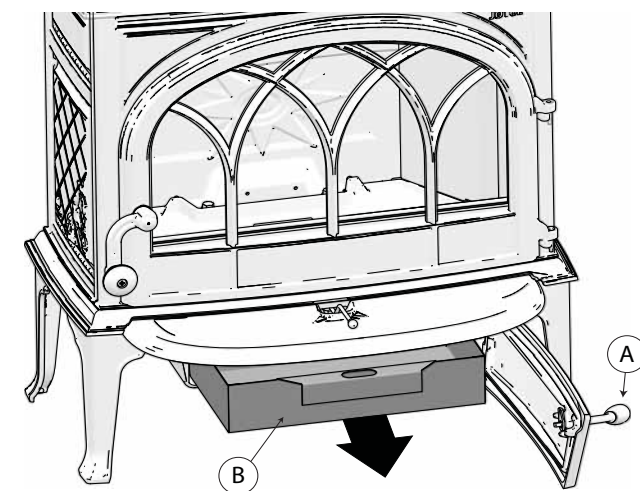
- Only remove ashes when the fireplace is cold.
- Use a shovel to scrape the ashes out.
- Ashes should be placed outside in a metal container.

Fig. 15 Ash grate



1. The ash grate is opened (A) by pulling towards the door, using a suitable fireplace tool.
2. The ashes are swept down through the ash grate.
3. Close the ash grate (B) afterwards. This must be closed during firing to obtain optimum combustion.

Fig. 16 Ash pan



4. Open the ash door with the handle (A). Remove the ash pan (B) and empty the ash into a suitable container, then replace the ash pan.

5.9 How wind and weather affect the stove

The performance of the stove can be affected considerably by the wind acting on the chimney at different strengths. It may therefore be necessary to adjust the air supply to ensure good combustion performance. It might also be a good idea to install a damper in the flue pipe so that the chimney draught can be regulated according to the strength of the wind.

Fog and mist can have a significant impact on the chimney draught and it might be necessary to use other combustion air settings to ensure good performance.

ENGLISH

5.10 Condensation

Condensation in a fireplace / flue pipe / chimney may occur. This may be caused by moist firewood or differences in temperature in the fireplace and environment.

Condensed water coming from the fireplace appears as a black, tar-like liquid. This should be wiped off immediately to avoid discoloration of the fireplace, floor or surrounding building components.

It is important to get the wood burning quickly to avoid condensation

If the condensation continues, mineral sand can be placed on the bottom plate.

5.11 The importance of the chimney

The chimney is the engine that drives the fireplace and it's essential to have a good chimney in order for the fireplace to function properly.

The draught in the chimney creates a vacuum in the stove. The combustion air is also used for the airwash system that keeps the window clear of soot.

The draught in the chimney is caused by the difference in temperatures inside and outside the chimney. The greater the temperature difference, the better the draught in the chimney. It is therefore important to allow the chimney to reach operating temperature before adjusting the air vents to restrict combustion in the stove (a brickwork chimney takes longer to reach operating temperature than a steel chimney).

It is particularly important to reach operating temperature as quickly as possible on days on which the draught in the chimney is poor due to unfavourable wind and weather conditions. Make sure the fuel ignites as quickly as possible. Practical tip: Chop the wood into much smaller pieces and use an extra firelighter.

NB: If the stove has not been used for some considerable time, it is important to check the chimney pipe for blockage.

6.0 Maintenance

6.1 Cleaning the glass

The product is equipped with an air wash for the glass. Air is sucked in through the air vent on the top of the product and down along the inside of the glass.

However, some soot will always stick to the glass, but the quantity will depend on the local draught conditions and adjustment of the air vent. Most of the soot layer will normally be burned off when the air vent is opened all the way and a fire is burning briskly in the fireplace.

Good advice! For normal cleaning, moisten a paper towel with warm water and add some ash from the burn chamber. Rub it over the glass and then clean the glass with clean water. Dry well. If it is necessary to clean the glass more thoroughly we recommend using a glass cleaner (*follow the instructions on the bottle*).

6.2 Cleaning and soot removal

Soot deposits may build up on the internal surfaces of the fireplace during use. Soot is a good insulator and will therefore reduce the fireplace's heat output. If soot deposits accumulate when using the product, they can be easily removed by using a soot remover.

In order to prevent a water and tar layer from forming in the fireplace you should regularly allow the fire to burn hot in order to remove the layer. An annual internal cleaning is necessary to get the best heating effect from the product. It is a good idea to do this in connection with the sweeping of the chimney and flue pipes.

6.3 Sweeping of flue pipes to the chimney

On certain free-standing fireplaces the top plate can be lifted off and the pipe swept through the top.

Otherwise, flue pipes must be swept through the flue pipe sweeping hatch or through the product's door opening. Then, the baffle must be removed.

6.4 Inspection of the fireplace

Jøtul recommends that you personally inspect your fireplace carefully after sweeping/cleaning. Check all visible surfaces for cracks. Also check that all joints are sealed and that the gaskets are in the correct position. Any gaskets showing signs of wear or deformation must be replaced.

Thoroughly clean the gasket grooves, apply ceramic glue (available from your local Jøtul dealer), and press the gasket well into place. The joint will dry quickly.

6.5 Exterior maintenance

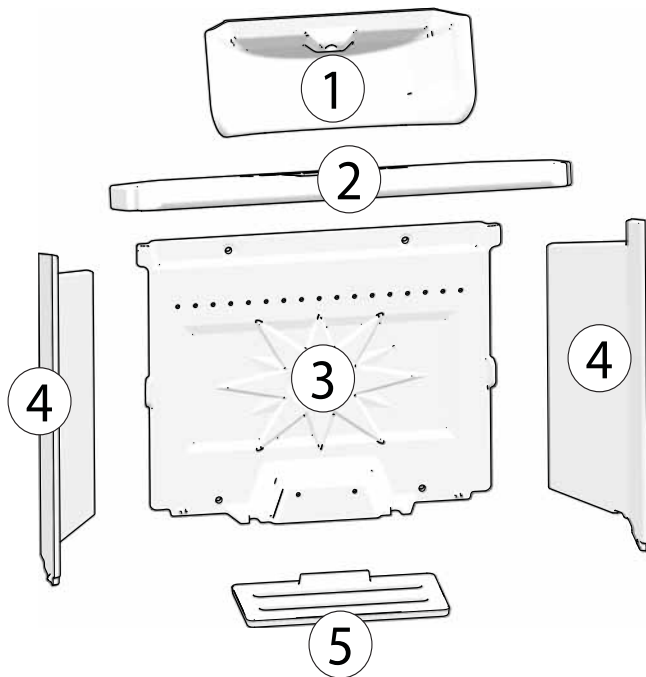
Painted products may change colour after several years usage. The surface should be cleaned and brushed free of any loose particles before new paint is applied.

Important! Never place anything on the top plate of the stove. This could cause permanent damage to the paint or enamel.

7.0 Service

Any unauthorised modifications to the product are prohibited!
Only original spare parts may be used!

Fig. 17

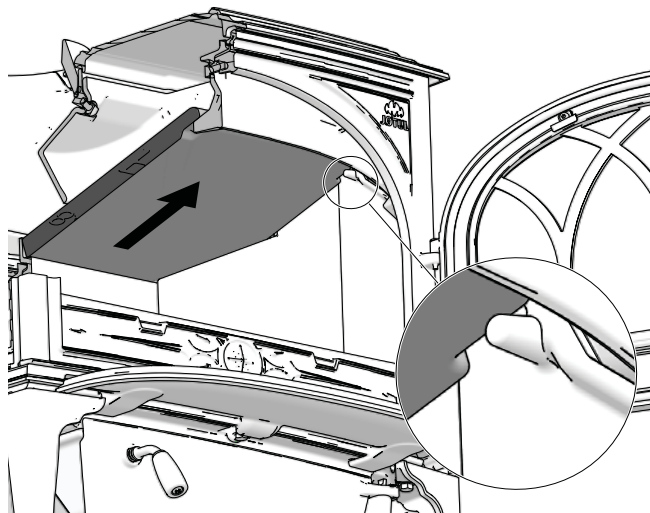


1. Exhaust deflector
2. Baffle plate
3. Rear burn plates
4. Side burn plates
5. Ash grate

7.1 Replacing the baffle plate

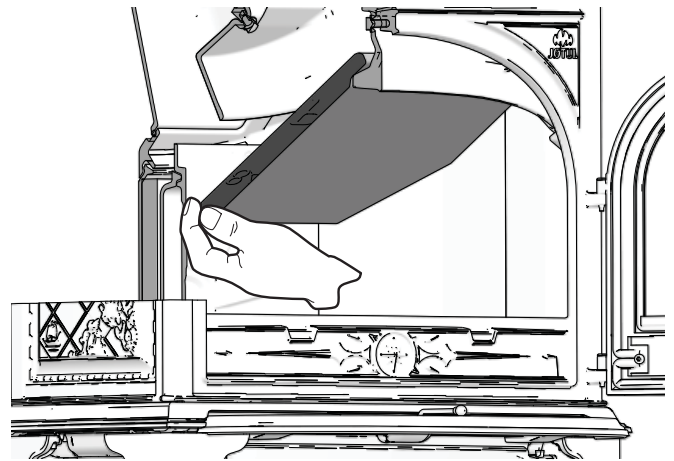
Use tools with great care.

Fig. 18a Loosen the baffle plate



1. Pull the baffle plate forward towards the front.

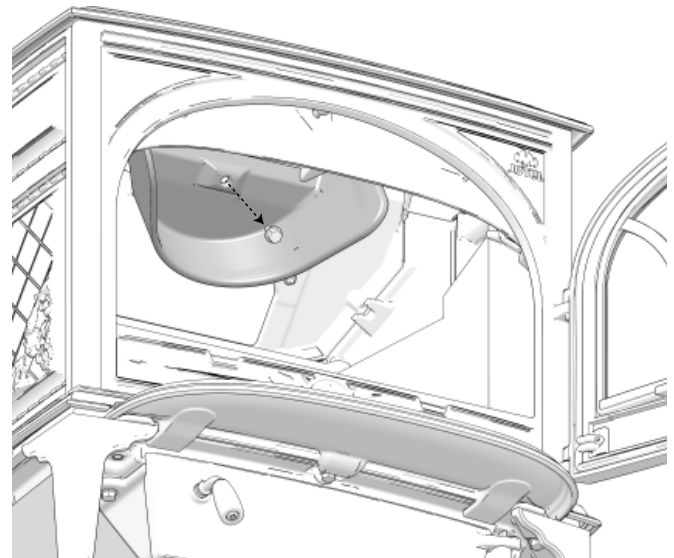
Fig. 18b Removing the baffle plate



2. The baffle plate loosens in the rear and can be lifted out
3. When refitting, follow the same procedure in reverse order.

7.2 Replacing the exhaust deflector

Fig. 19



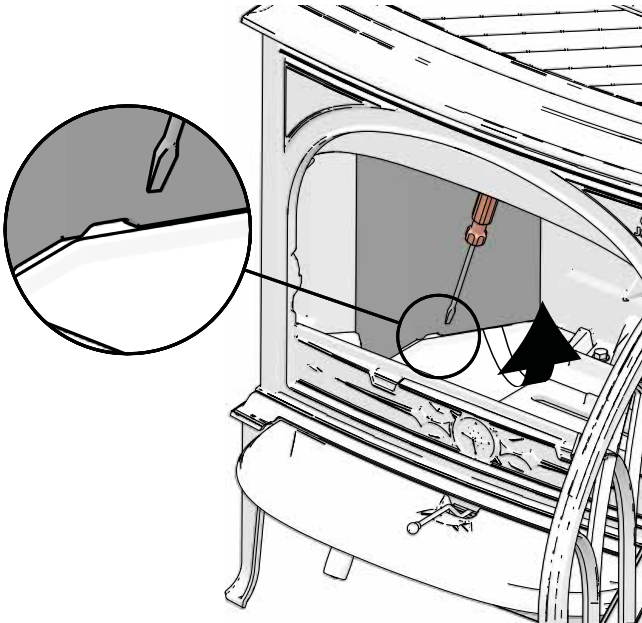
1. Loosen the screw that is attached to the upper rear plate.

ENGLISH

7.3 Replacing the burn plates

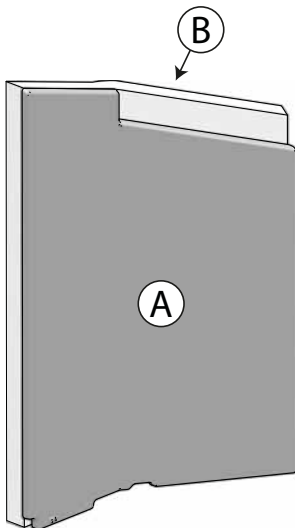
Fig. 20a Replacing the side burn plate

NB: Remove the baffle plate first (see fig.18a)



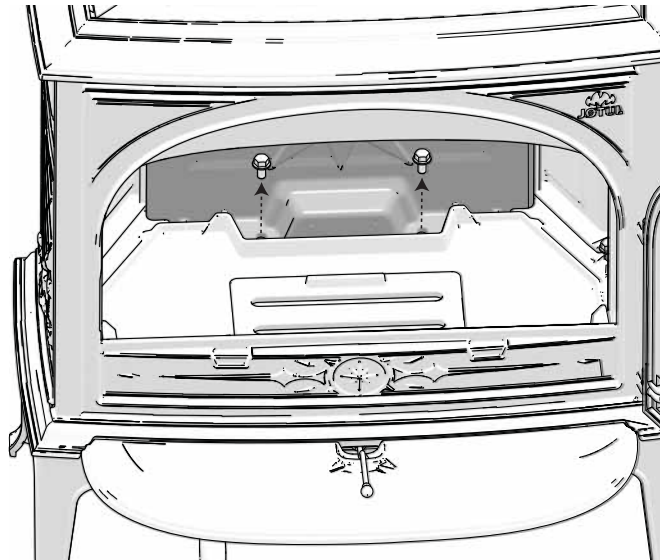
1. Tilt the side burn plate up using the groove at the bottom.
Tip: Use a screwdriver.
2. Edge the side burn plate with the insulation mats.
3. When refitting, follow the same procedure in reverse order.
(see fig.20b first (insulation mat)).

Fig. 20b



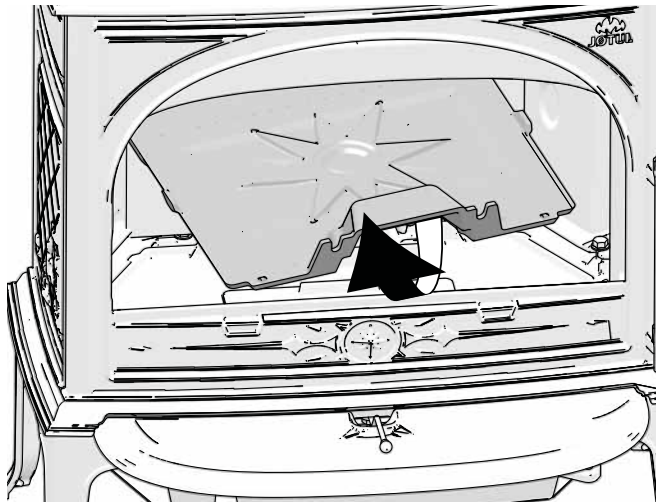
4. The side burn plate (A) are supplied with insulation mat(B) on the rear.

Fig. 21a Replacing the rear burn plate



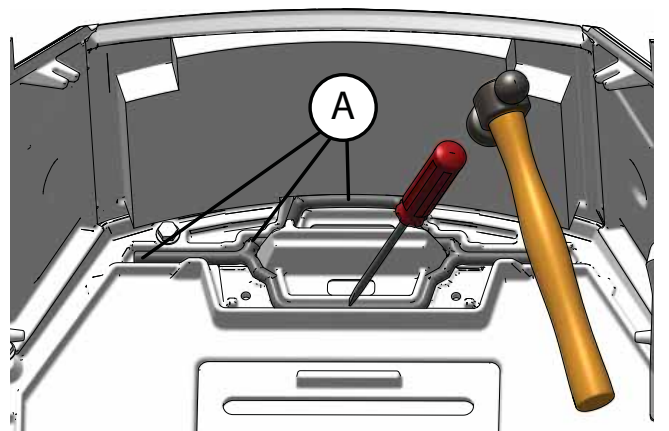
1. Loosen the rear burn plate by removing the screws shown in the figure.

Fig. 21b



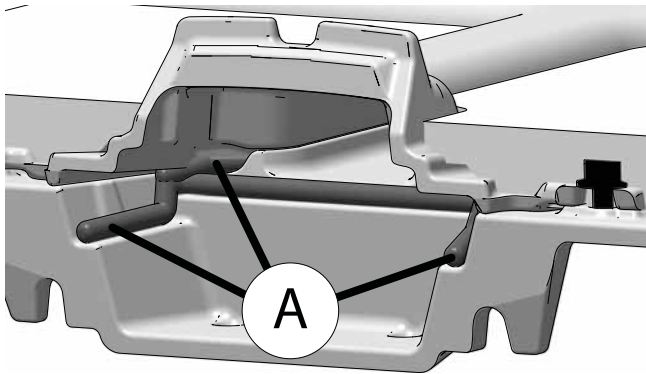
2. Edge the rear burn plate out of the stove.

Fig. 21c



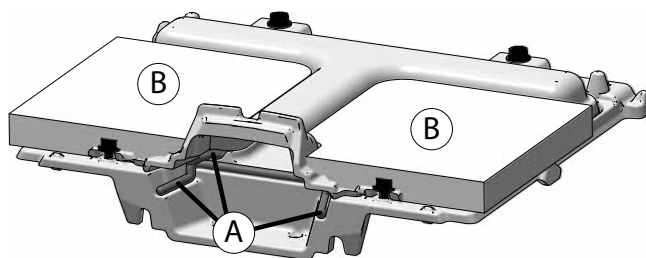
3. Remove the old cement (A) from the cement groove.
4. Apply new cement (A) in cement grooves.

Fig. 21d



5. Apply cement (A) on the new rear burn plate.

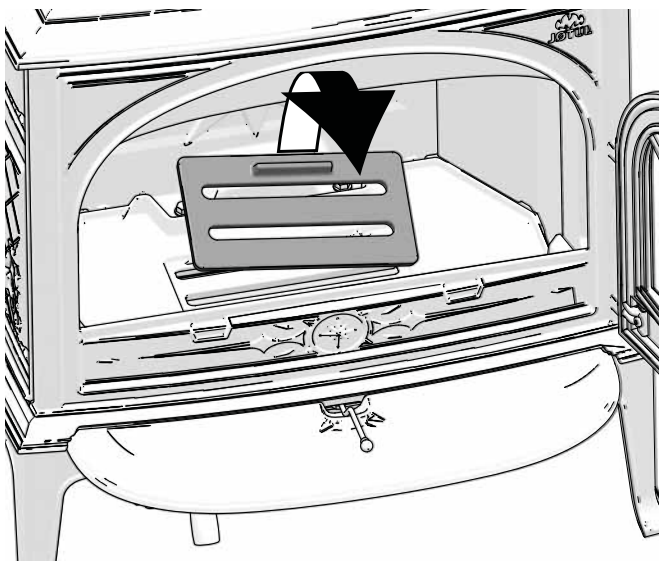
Fig. 21e



6. Apply cement (A) on the new rear burn plate.
7. The rear burn plate will be supplied with 2 insulation mats (B) on the rear.
8. When refitting, follow the same procedure in reverse order.

7.4 Replacing the ash grate

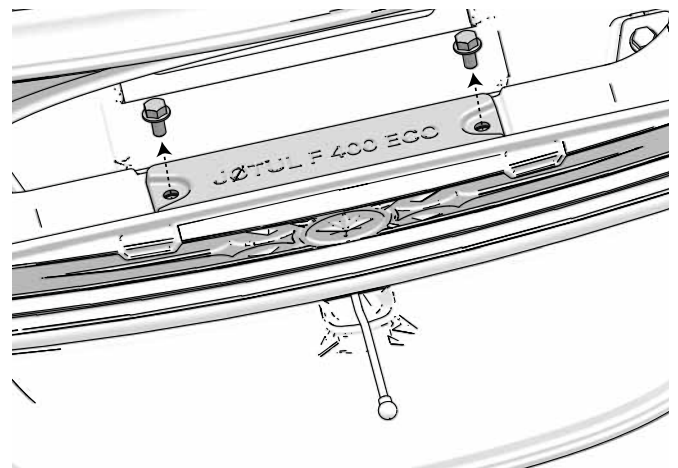
Fig. 22



1. Tilt up the ash grate that loosely sits in the bottom plate of the stove.

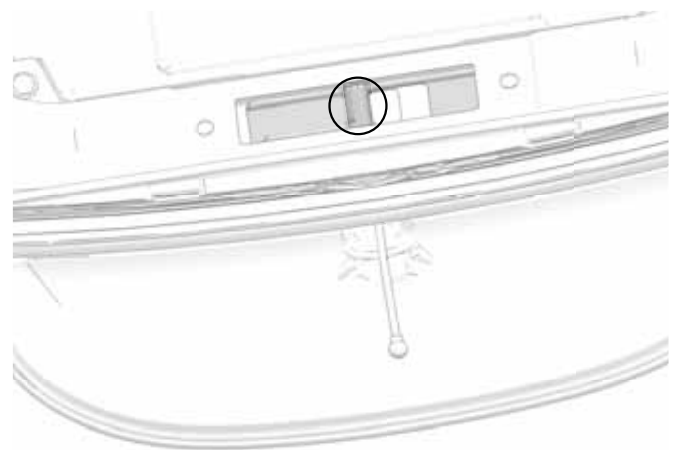
7.5 Replacing the valve handle

Fig. 23a



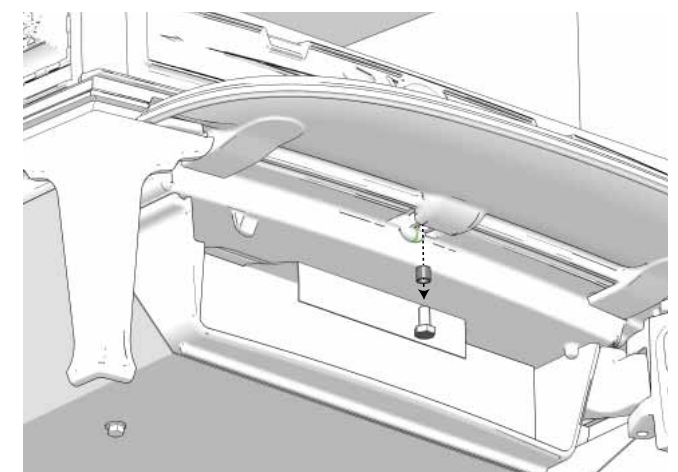
1. Loosen the 2 screws located inside the front.

Fig. 23b



2. The position of the valve handle is highlighted in the figure.
Tip: If the valve handle seems loose, check the valve to see if the valve is positioned correctly.

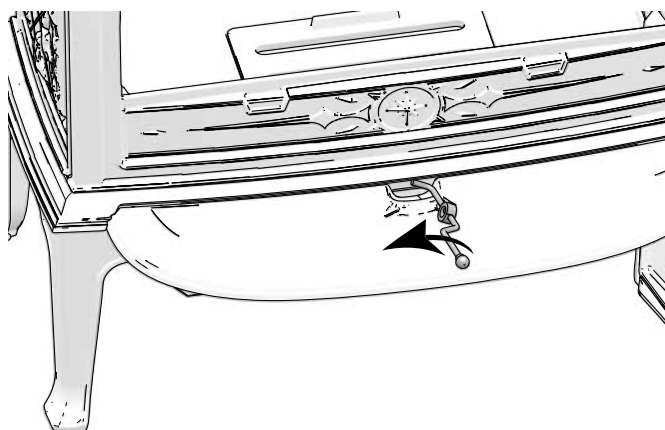
Fig. 23c



3. Open the ash door.
4. Loosen the screw with the sleeve underneath by the ash lip.

ENGLISH

Fig. 23d



5. Angle the valve to the left.
6. When refitting, follow the same procedure in reverse order.
7. Check if the valve is positioned correctly in relation to the handle (fig. 23b).

8.0 Operational problems - troubleshooting

Poor draught

Check the length of the chimney and that it complies with national laws and regulations. (See also «**2.0 Technical data**» and «**4.0 Installation**» (**Chimney and flue pipe**) in the installation manual for information.)

Make sure that the minimum cross section on the chimney is according to «**2.0 Technical data**» in the installation manual. Make sure that there is not anything preventing the smoke gasses from escaping: branches, trees, etc.

Upon suspicion of excessive/poor draught in the chimney, seek professional help for measurement and adjustment.

The fire extinguishes after a while

- Make sure that the firewood is sufficiently dry.
- Find out whether there is negative pressure in the house, close mechanical fans and open a window close to the fireplace.
- Check that the air vent is open.
- Check that the flue outlet is not clogged by soot.

Unusual amount of soot accumulates on the glass

Some soot will always stick to the glass, but the quantity depends on:

- Moisture in the fuel.
- The local draught conditions.
- Air vent opening.

Most of the soot will normally burn off when the air vent is opened all the way and a fire is burning briskly in the fireplace.

9.0 Optional equipment

9.1 Heat shield rear

Cat. no: 50012949 Black paint (BP)
Cat. no: 50012950 Aluzink
See manual: 10026623

9.2 External air kit Ø 80

Cat. no: 51047509
See manual: 10047508

9.3 Self closing door mechanism

Cat. no: 10025474
See manual: 50035414

9.4 Short legs - height 155 mm

1 piece:

Cat. no: 12015095 - Black paint (BP)
Cat. no: 12015093 - Blue black enamel (BBE)
Cat. no: 12028848 - Noble white enamel (IVE)
Cat. no: 12028851 - Brown majolica enamel (BRM)

4 piece:

Cat. no: 51012177 - Black paint (BP)
Cat. no: 51012178 - Blue black enamel (BBE)
Cat. no: 51012179 - Noble white enamel (IVE)
Cat. no: 51012279 - Brown majolica enamel (BRM)

10.0 Recycling

10.1 Recycling packaging

Your fireplace is delivered with the following packaging:

- A wooden pallet that can be cut up and burned in the fireplace.
- Cardboard packaging that should be taken to a local recycling facility.
- Plastic bags that should be taken to a local recycling facility.

10.2 Recycling the fireplace

The fireplace is made of:

- Metal that should be taken to a local recycling facility.
- Glass that should be disposed of as hazardous waste. The glass in the fireplace must not be placed in a regular source segregation container.
- Vermiculite burn plates that can be disposed of in regular waste containers.

11.0 Guarantee terms

1. Our guarantee covers:

Jøtul AS guarantees that the external cast-iron parts are free from defects in materials or manufacturing at the time of purchase. You may extend the guarantee on the external cast-iron parts to 25 years from the date of delivery by registering the product on jotul.com, and print out the extended guarantee card within three months of purchase. We recommend that the guarantee card be kept together with the receipt. Jøtul AS also guarantees that steel plate parts are free from defects in materials or manufacturing at the time of purchase for a period of 5 years from the date of delivery.

The guarantee applies on the condition that the stove has been installed by a qualified installer in accordance with applicable laws and regulations and Jøtul's installation and operating instructions. Repaired products and replacement items are guaranteed within the original guarantee period.

2. The guarantee does not cover:

- 2.1. Damage to consumables such as burn plates, fire grates, flue baffles, gaskets and similar as these deteriorate over time due to normal wear and tear.
- 2.2. Damage caused as a result of improper maintenance, overheating, use of unsuitable fuel (e.g. of unsuitable fuel are, but not limited to driftwood, impregnated wood, plank offcuts, chipboard) or too moist / wet wood.
- 2.3. Installation of optional extras for the purpose of rectifying local draught conditions, air supply or other circumstances beyond Jøtul's control.
- 2.4. Cases involving alterations / modifications to the fireplace without Jøtul's consent or the use of non-original parts.
- 2.5. Damage caused during storage at a distributor, transport from a distributor or during installation.
- 2.6. Products sold by unauthorized sellers in areas where Jøtul operates a selective distribution system.
- 2.7. Associated cost (e.g. but not limited to, transport, manpower, travel) or indirect damages.

Pellets stoves, glass, stone, concrete, enamel and paint finish (e.g. but not limited to chipping, cracking, bubbling or discolouration and crazing) are applicable to the national legislation governing the sale of consumer goods. This guarantee is valid for purchases made within the territory of the European Economic Area. All guarantee inquiries must be addressed to your local authorized Jøtul dealer within a reasonable amount of time, which shall not be later than 14 days from the date on which the fault or defect first became apparent. See list of importers and dealers on our web site www.jotul.com.

If Jøtul is unable to meet the obligations outlined in the above guarantee terms, Jøtul will offer a replacement product with a similar heating capacity free of charge.

Jøtul reserve the right to decline of any replacement of parts or service in the event that the guarantee is not registered online. This guarantee does not affect any rights under applicable national legislation governing the sale of consumer goods. The national complaint right applies from the purchase date and only in exchange for a receipt / serial number.